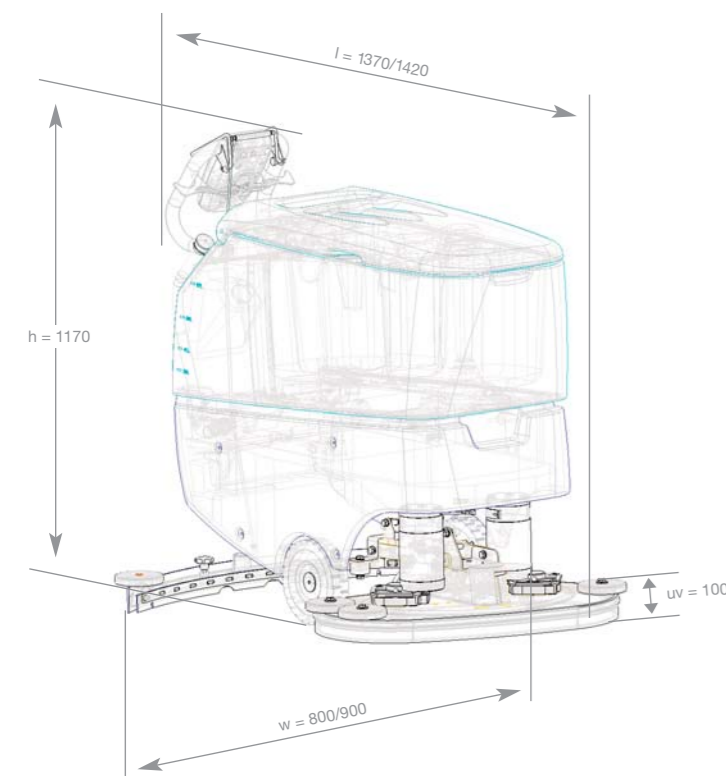


Technical Data and accessories

Technical Data	Basic Version		Long Running System (LRS)	
	65	75	65L	75L
Artikel-Nr.	50.250	50.251	50.270	50.271
Working width	650 mm	750 mm	650 mm	750 mm
Dimensions (L/W/H) without suction nozzle	1370/544/1170 mm	1420/544/1170 mm	1370/544/1170 mm	1420/544/1170 mm
Empty weight operable	357 kg	357 kg	357 kg	357 kg
Surface performance	3250 m ² /h	3750 m ² /h	3250 m ² /h	3750 m ² /h
Number of brushes/pads	2	2	2	2
Working pressure max.	0.24 N/cm ²	0.24 N/cm ²	0.24 N/cm ²	0.24 N/cm ²
Vacuum max.	166 mbar	166 mbar	166 mbar	166 mbar
Air volume max.	90 m ³ /h	90 m ³ /h	90 m ³ /h	90 m ³ /h
Tank in Tank volumen	80 l	80 l	80 l	80 l
Speed forward max.	5 km/h	5 km/h	5 km/h	5 km/h
Speed backward max.	2.3 km/h	2.3 km/h	2.3 km/h	2.3 km/h
Noise level (Lp)	70 dB (A)	70 dB (A)	68*/ 70 dB (A)	68*/ 70 dB (A)
Long Running System (LRS)	-	-	incl.	incl.
Turn radius minimal	1450 mm	1450 mm	1450 mm	1450 mm
Battery voltage	24 V	24 V	24 V	24 V
Battery capacity	180 Ah	180 Ah	180 Ah	180 Ah
Battery autonomy	up to 2.5 h	up to 2.5 h	up to 4.5 h*	up to 4.5 h*
Brush housing	650 mm	750 mm	650 mm	750 mm
Suction nozzle	RS80	RS90	RS80	RS90
Traction motor break	incl.	incl.	incl.	incl.
max. pitch	8 %	8 %	8 %	8 %

* driven in the LRS (Long Running System) mode



w = width, h = height, l = length, uv = under vertical

Accessories

Item No. 51.340 Gel batteries 180 Ah/24 V

Item No. 52.060 Suction nozzle front 65
 Item No. 52.061 Suction nozzle back 65
 Item No. 52.070 Suction nozzle front 75
 Item No. 52.071 Suction nozzle back 75

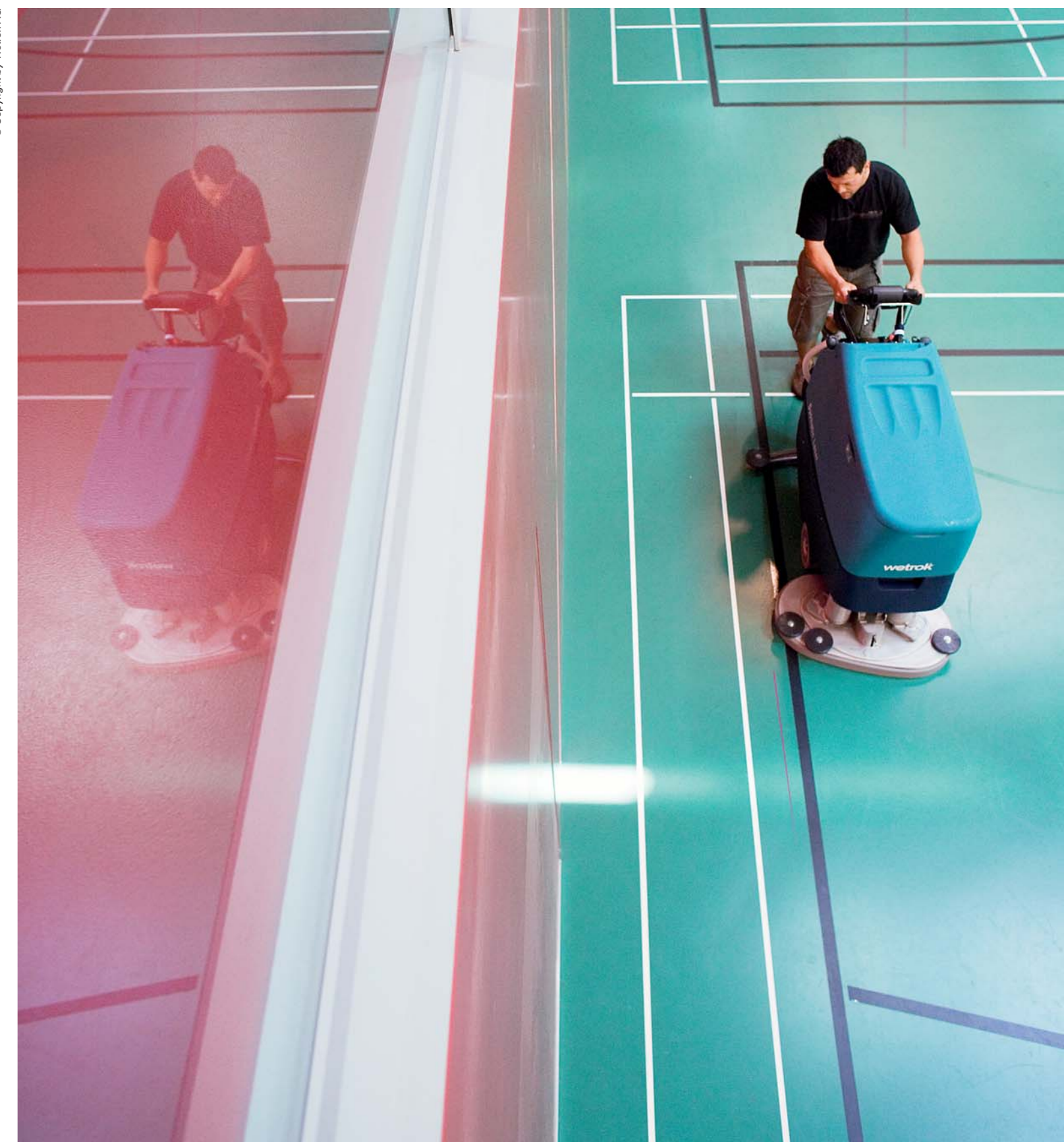
Item No. 51.532 Pad drive disk 65
 Item No. 51.533 Supernylon scrubbing brush 65
 Item No. 51.534 Tynex scrubbing brush 65
 Item No. 51.535 Union polishing brush 65

Item No. 51.540 Pad drive disk 75
 Item No. 51.541 Supernylon scrubbing brush 75
 Item No. 51.542 Tynex scrubbing brush 75
 Item No. 51.543 Union polishing brush 75

Item No. 52.321 Poly-Pad red 330 mm (65)
 Item No. 52.324 Poly-Pad blue 330 mm (65)
 Item No. 52.322 Poly-Pad green 330 mm (65)
 Item No. 52.323 Poly-Pad black 330 mm (65)

Item No. 22.302 Poly-Pad red 380 mm (75)
 Item No. 22.305 Poly-Pad blue 380 mm (75)
 Item No. 22.303 Poly-Pad green 380 mm (75)
 Item No. 22.304 Poly-Pad black 380 mm (75)

© Copyright by Wetrok AG



consulting concept know-how **equipment** products academy service

Wetrok Duomatic Laser

Wetrok AB, Bergkällavägen 36 C, 192 79 Sollentuna,
 tel. 08 444 34 00, fax 08 444 34 01, info@wetrok.se, www.wetrok.se



Confident cornering, top precision and strong performance – cleaning with the Duomatic Laser!

The newest generation of the Duomatic Series scrubber-dryers has arrived. Proven Wetrok quality combined with cutting edge technology. The asymmetric shape of the tank is specially designed to fit the user's requirements and guarantees a clear view of the machine and operating surface at all times. With the Duomatic Laser machine, you can clean in an ergonomically correct and safe manner without having to sacrifice an ounce of efficiency. And all this with a battery life of up to 4.5 hours!

Here are four reasons why the Duomatic Laser will simplify your life:



1

2

3

4

1 The Long Running System (LRS) reduces consumables and increases running time The LRS system is an optimising cleaning function that achieves optimum cleaning with a minimum of effort. In specific terms, this means that at the push of a button, cleaning fluid feed and brush pressure are aligned in such a way that the machine is used at ideal capacity. This raises the machine action time to up to 4.5 hours. Ideally, this function should be employed on smooth floors such as those found in gyms, hospitals and supermarkets.

2 High manoeuvrability guarantees cleaning in even the tightest corners Thanks to the asymmetric shape of the tank with its right-hand corner slightly set back, the machine is easy to steer. Thanks to its manoeuvrability, even 90 degree corners are no problem for the Duomatic Laser. Handling the machine is amazingly easy: Whether woman or man, short or tall, whether used daily or just once a week – the Duomatic Laser is uncomplicated and easy to handle.

3 The laser guidance optimises time management The laser projects a fine red line directly next to the brush housing which guides you and prevents the cleaning paths from overlapping. Thanks to the laser guidance you can make faster progress: you will circumnavigate obstacles accurately and make full use of the machine's manoeuvrability.

4 The PowerShot improves cleaning intensity on problem spots For powerful cleaning of problem spots just press the PowerShot. For a period of 10 seconds, maximum cleaning fluid feed and brush pressure provide the highest cleaning intensity and remove even persistent, stubborn dirt quickly and easily during daily cleaning.

Details that are sure to impress!

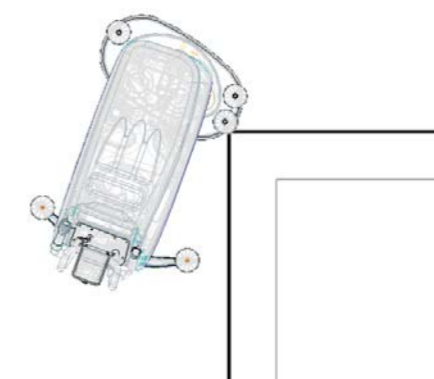
The inner works are quite impressive as well: Thanks to the functional design, every detail reflects know-how and technology. With a length of just 1.42 m, a width of 90 cm, and a height of 1.17 m, the Duomatic Laser has a very compact construction. The dimensions of the fresh water tank provide a large 80 ltr content, which is generous enough.

Whether in a hospital, school or supermarket – the Duomatic Laser is at home everywhere. Running in LRS mode, this scrubber-dryer can clean a smooth surface of more than 5800 m² on a single tank filling. See for yourself by testing it out!

With LRS mode 5800 m²
or 0.8 ltr/min *

Without LRS mode 1500 m²
or 3.4 l/min

* on a smooth floor surface



The advantages of the Duomatic Laser in a nutshell

- Easier, more precise handling thanks to laser guidance system and compact, asymmetric construction
- High manoeuvrability allowing easy cleaning – even around corners
- Reduction of consumables and increase of time, thanks to the LRS system running
- Localised intensive cleaning of persistent dirt using the PowerShot
- Optimised ergonomics due to a clear view over the machine
- Minimum training requirements thanks to easy operation